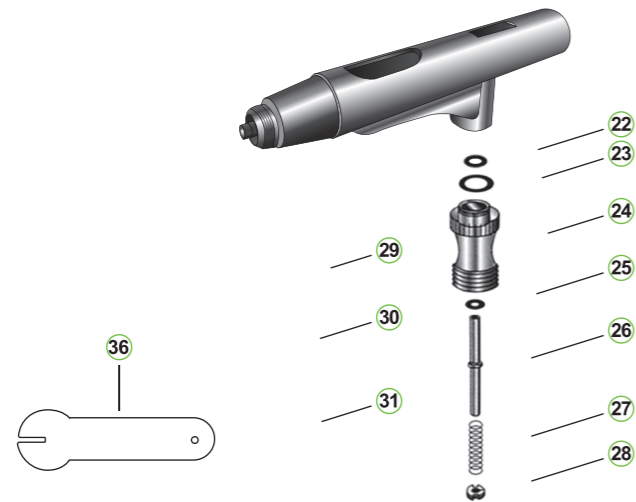
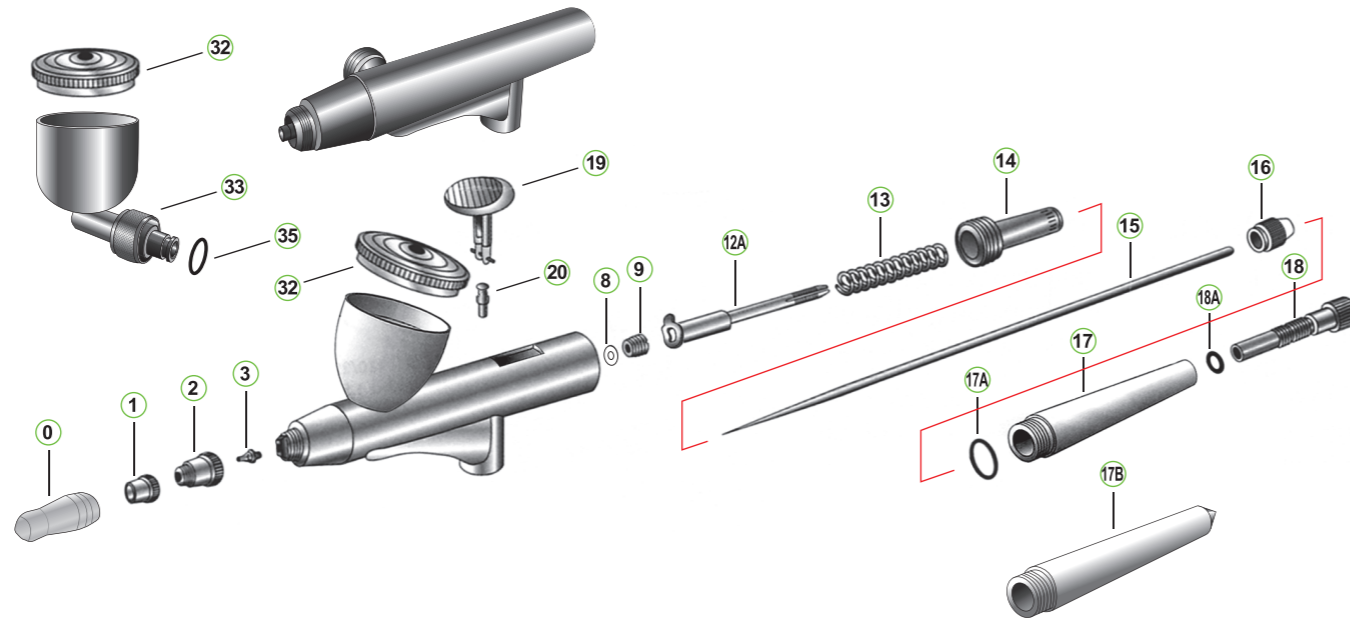


Item no.: 23 - Airbrush incl airhose



PARTS NAME

0	Protective Cap	14	Spring Stop	24	Air Valve Casing
1	Needle Cap	15	Needle	25	Air Valve Pin O-ring
2	Nozzle Cap	16	Needle Stop Screw	26	Air Valve Pin
3	Nozzle	17	Tail Cap	27	Air Valve Spring
AB122A-07	Body FOR AB122A/AB123A	17A	O-ring	28	Valve Down Pin Guide
AB124A-07	Body FOR AB124A/AB125A	17B	Tail Cap	29	Air Tube Nut
AB126A-07	Body FOR AB126A/AB127A	18	Needle Adjustor	30	Air Tube Clasp O-ring
AB128A-07	Body FOR AB128A/AB129A	18A	O-ring	31	Air Tube Clasp
8	Needle Teflon	19	Push-Button	32	Cup Lid
9	Lock Screw	20	Piston	33	Side Cap FOR AB126A/AB127A
12A	Rocker and Needle Chuck Assembly	22	Piston O-ring	35	Side Cap O-ring FOR AB126A/AB127A
13	Needle spring	23	Air Valve Casing O-ring	36	Wrench

NOTE: PLEASE INDICATE MODEL NUMBER BEFORE PART NUMBER

HOW TO OPERATE

- Press Push-Button slightly or hard then a small amount of air emerges out of nozzle accordingly.
- After pressing Push-Button, draw it backward gradually for color atomization. Air brush gives fine-line spray to broad area in accordance with the degree of pressing and drawing push button as well as the distance between air brush and a work surface.
- By adjusting the needle adjustor, can set the width of the spray as desired, For broader pattern, turn it counter clockwise direction.
- Stipping is achieved by removing the needle cap and nozzle cap and adjusting the air pressure.

THE MOST COMMON PROBLEMS

- Bubbles appear in cup.
- Spray is abnormally wide or double pattern.
- Color spreads like blots.

CAUSES AND SOLUTIONS

A. PROBLEM:

- Nozzle is blocked, or split, or transformed.
- Needle is not fitted to nozzle cap and needle cap.
- Check nozzle by a magnifier and replace it as something is unusual.

B. PROBLEM:

- Solid pigment jammed in nozzle or stuck to needle tip, or needle tip bent.
- Replace needle as bent, and also replace nozzle because of often damaged by bent needle.

C. PROBLEM:

- Nozzle tip too close to work surface, or Push-Button drawn too mush.
- Keep Nozzle tip away, or press fully Push-Button and draw it slightly.

COLORS APPLIED:

Water color, acrylics, gouaches, dyes and inks.